



Victoria Gayle
INTERIORS

Measuring your
curtains

1. First choose your heading:



Double Pinch Pleat



Triple Pinch Pleat



Pencil Pleat



Eyelet



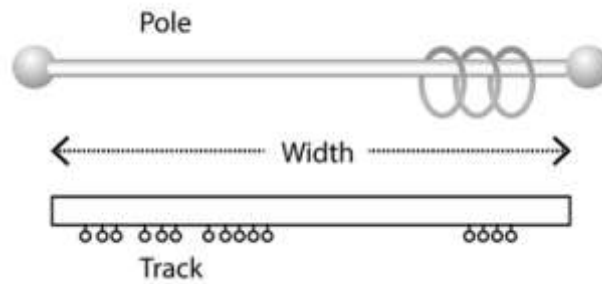
Wave

Measure Width

Choose if a track or Pole and measure width

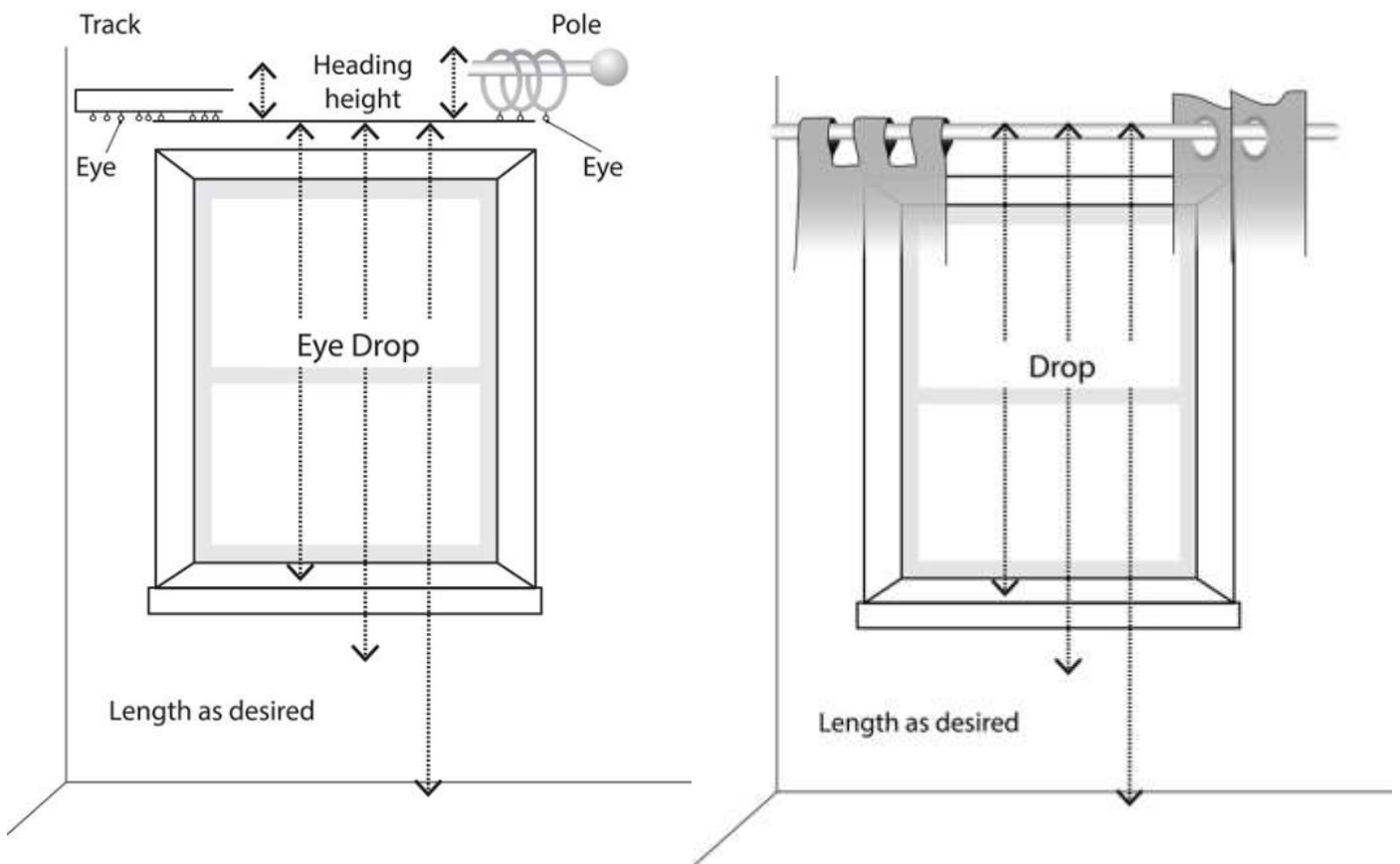
If you have a pole, measure the distance between the finials (the decorative baubles at the end of a pole).

If you have a track, measure the length of the track.



Measure drop (length)

Choose where to position pole or track above the window then measure from below pole or track where the hook eye is located



Decide where you want your curtains to finish.

For floor-length curtains, we suggest curtains 1.5cm longer than floor-length. If your floors are uneven, make sure that you measure each side of the window and choose the longest measurement.

For sill-length curtains, we suggest either 15cm below the sill or 1-2 cm above it.

Measuring drop for Tab top and Eyelet

For tab top or eyelet curtains, measure the drop from the top of your pole to where you want your curtain to finish.

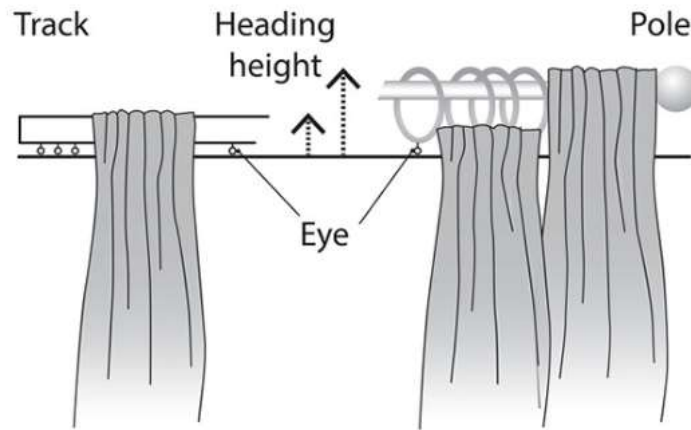
(Please note: tab top and eyelet headed curtains cannot be fitted to a track.)

Heading Height

The heading height is the distance from the eye to where you want the top of your curtain to be.

For tracks, we suggest a heading height just above the top of your track so that it is not visible above the top of the curtain.

For poles, we suggest a heading height from 2cm above the eye to just above your curtain pole according to your own taste. Curtains will hang best with a smaller heading height.



Choose your Pole Metal or Wood



Metro Pole

